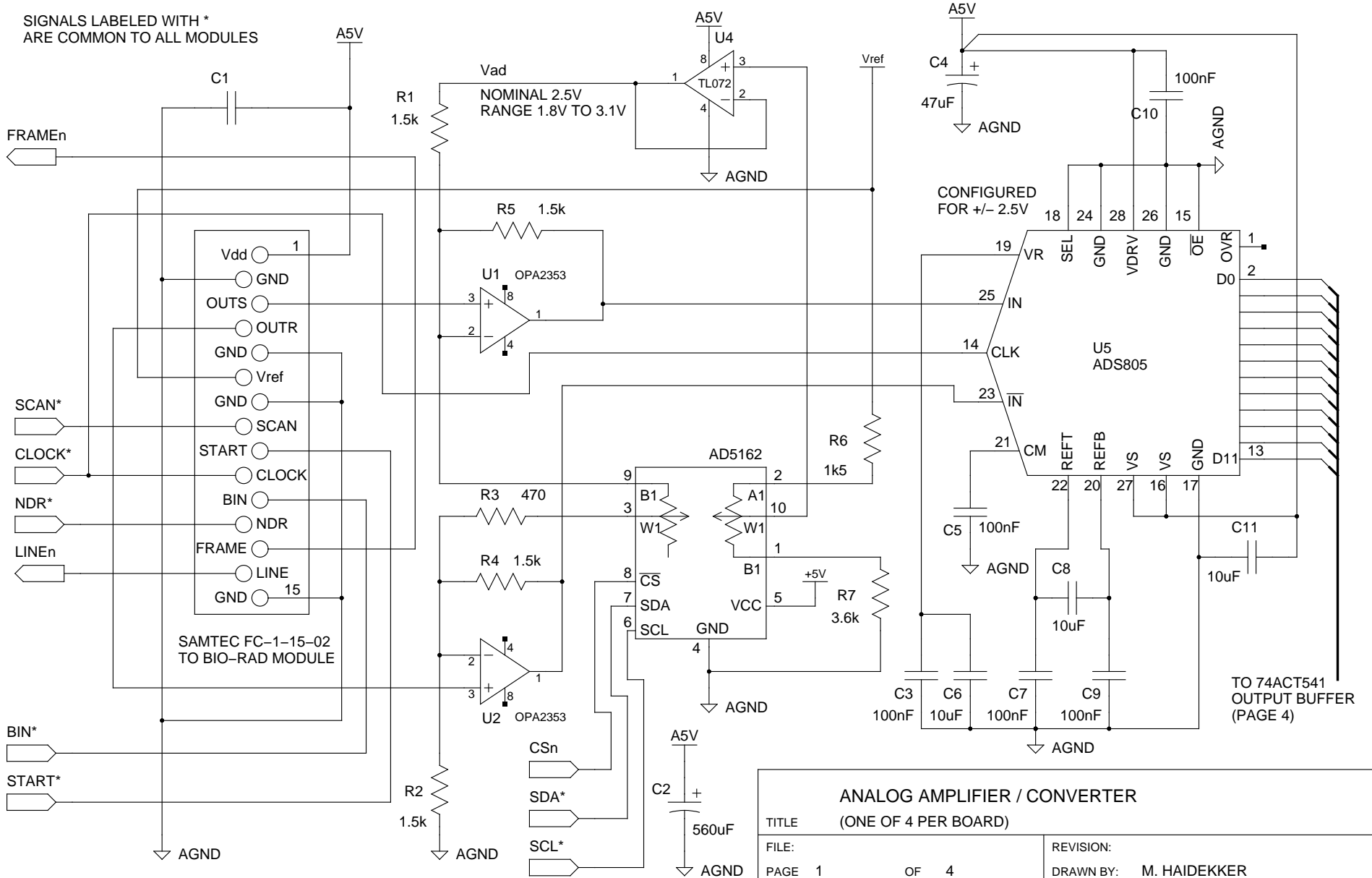


SIGNALS LABELED WITH *
ARE COMMON TO ALL MODULES



TITLE		
ANALOG AMPLIFIER / CONVERTER (ONE OF 4 PER BOARD)		
FILE:	REVISION:	
PAGE 1	OF 4	DRAWN BY: M. HAIDEKKER